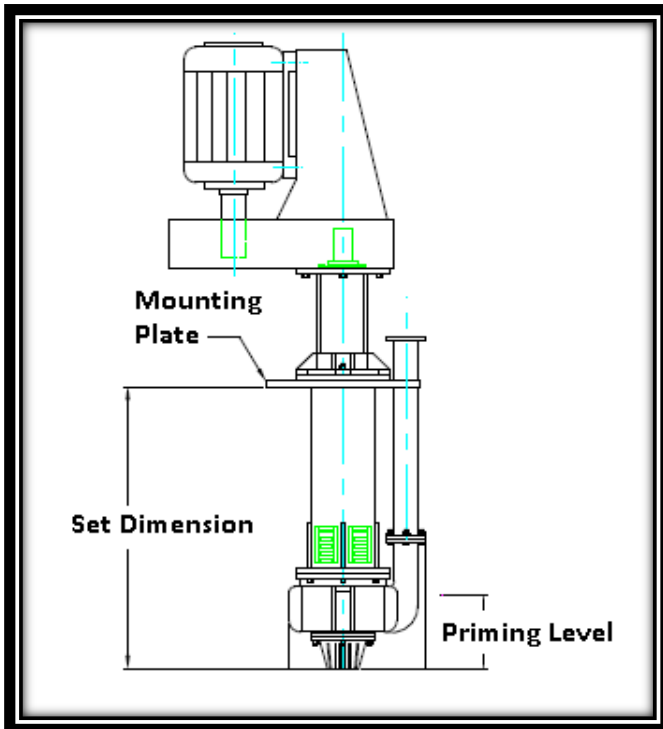




Application Questionnaire

V Series - Vertical Cantilever Slurry Pump

Fill out as much info as possible and circle or specify units



Site Conditions		Unit
Elevation:		ft / m
Amb. Temp:		F / C
Voltage:		V
Frequency:		Hz

Basic Application Info		Unit
Flowrate		gpm m ³ /h
TDH (slurry)		ft / m
TDH (uncorrected)		ft / m
Cw (solids % by wt)		%
Slurry Density		SG
Sump Depth		in / mm

Discharge Pipe Conditions		Unit
Length		ft / m
Elevation change		ft / m
Pipe Material		
Pipe ID		in / mm
90° Elbow		
45° Elbow		
Valves		

Slurry Specification		Unit
Material type		
Particle size (MAX)		
Particle size (d50)		
Particle hardness		
Particle shape		
Density of Solids		SG
pH		

Additional Comments: